

DIGITAL PRESSURE GAUGE DPG

FEATURES

The DPG \varnothing 80 pressure gauge is intended for measuring and displaying a pressure signal. The stainless steel fitting on the process side, makes it possible to use it on compatible industrial fluids. The display screen is backlit upon request. Vertical connection.

AVAILABLE MODELS

G 1/4" M cylindrical, vertical connection.
Power supply provided by a 9V DC battery.

LIMITS OF USE

Fluid WP:	According to the scale Admissible overpressure: 30% of the scale
Fluid WT°:	-10°C / +200°C
Ambient temperature:	-10°C / +75°C

PRECISION CLASS

+/- 1 % of the scale.

MEASUREMENT SCALES

No.	Range in bar	Range in psi
4	0 / 4	0 / 58
6	0 / 10	0 / 145
7	0 / 20	0 / 290

DISPLAY UNIT

- in BAR.



Information given as an indication only, and subject to possible modifications

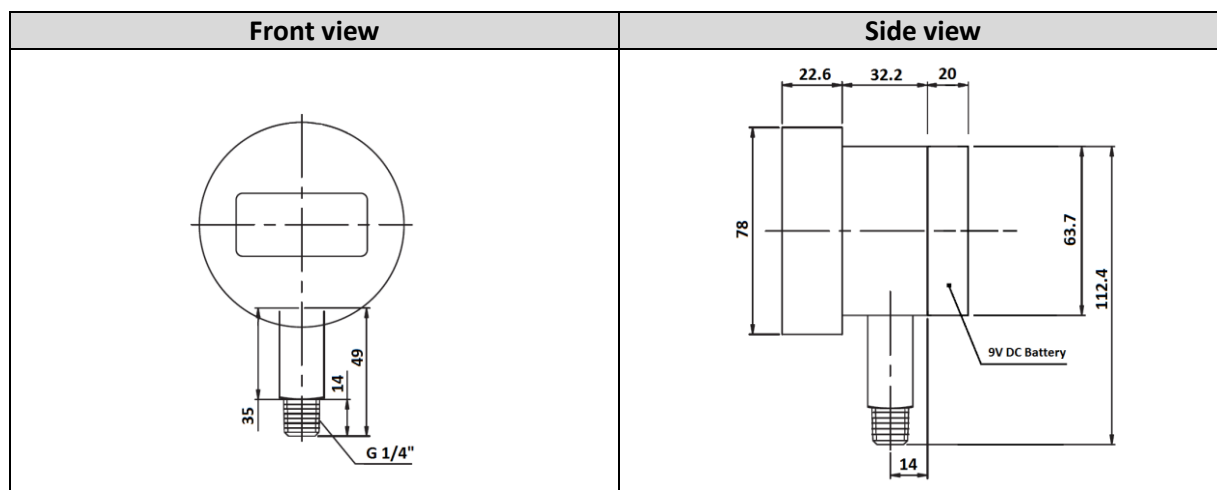
	SECTORIEL S.A. 45 rue du Ruisseau 38290 SAINT QUENTIN-FALLAVIER – FRANCE Telephone: +33 4 74 94 90 70 – Fax: +33 4 74 94 13 95 www.sectoriel.fr / Email : sectoriel@sectoriel.fr	Pages	1/4
		Ref.	FT1311 ENG
		Rev.	01
		Date	04/2016

DIGITAL PRESSURE GAUGE DPG

CONSTRUCTION

Nr.	Item	Material
2	Box	ABS
3	Vertical fitting	AISI 316 SS

DIMENSIONS (mm)






DIRECTIVE AND MANUFACTURING STANDARDS

Fabrication	ISO 9001: 2008
Connection	ISO 228

MOUNTING ON SEPARATOR

If a DPG transmitter is used on corrosive, viscous or crystallising fluids, it can be mounted on different types of separators:

DT 110	DT 108	DT 122
removable	welded	removable
threaded fitting	threaded fitting	flange fitting
		

Filling can be made with the following liquids:

- Silicone oil, **WT°**: -50°C/+200°C,
- FDA edible glycerine.

Please contact us.

Information given as an indication only, and subject to possible modifications

	SECTORIEL S.A. 45 rue du Ruisseau 38290 SAINT QUENTIN-FALLAVIER – FRANCE Telephone: +33 4 74 94 90 70 – Fax: +33 4 74 94 13 95 www.sectoriel.fr / Email : sectoriel@sectoriel.fr	Pages	2/4
		Ref.	FT1311 ENG
		Rev.	01
		Date	04/2016

DIGITAL PRESSURE GAUGE DPG

ACCESSORIES

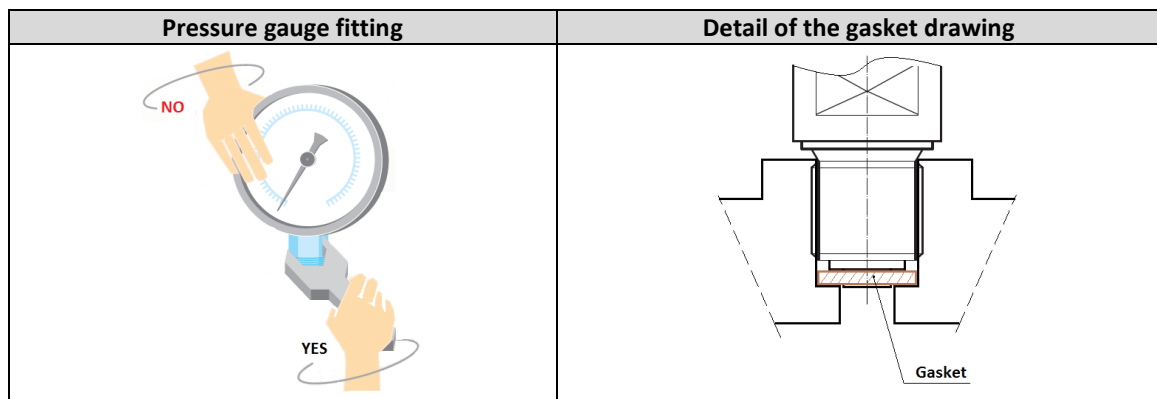
The following accessories can be used with the DPG pressure transmitters.

siphon	damper	needle valve	ball valve
SY	D1	RPM	MIGNON
			

Please contact us.

ASSEMBLY INSTRUCTIONS

1. Plan the reading in a part of the pipe installation or of the tank where the flow is uniform and undisturbed.
2. If the fluid is loaded, viscous or crystallising, provide a diaphragm separator.
3. Check that the measuring range for the pressure to be measured is in accordance with the scale of the DPG pressure transmitter.
4. Check that the fluid temperature is compatible with that of the transmitter's operation. If need be, provide a separator or a siphon.
5. Provide an isolation valve between the transmitter and the pressure reading to be able to perform its maintenance.
6. Provide a glycerine filling and a damper, when vibrations are present on the installation.
7. Use a flat gasket suitable for the fluid, to provide leak-tightness for the transmitter's fitting.
8. When screwing on the transmitter, do not hold it by the dial, but use a flat spanner on the fitting as shown in the diagram below.
9. If a hydrostatic test is carried out on the installation, do not exceed the pressure intended for the transmitter. Otherwise, close the isolation valve or remove the transmitter.
10. During commissioning, slowly open the isolation valve to prevent water hammer which can damage the transmitter.



Information given as an indication only, and subject to possible modifications

	SECTORIEL S.A. 45 rue du Ruisseau 38290 SAINT QUENTIN-FALLAVIER – FRANCE Telephone: +33 4 74 94 90 70 – Fax: +33 4 74 94 13 95 www.sectoriel.fr / Email : sectoriel@sectoriel.fr	Pages	3/4
		Ref.	FT1311 ENG
		Rev.	01
		Date	04/2016

DIGITAL PRESSURE GAUGE DPG

OPERATION

1. To display the pressure, 9 V DC power supply is needed. Power-up by a switch at the back of the DPG.



Power-up at atmospheric pressure.

2. Parameter setting

<p>4.1 Zero setting If resetting is necessary, make sure that the pressure to be measured is at atmospheric. Press the "SET" button for more than 3 s.</p>	
<p>4.2 How to use the tare In hydraulic weighing applications, it can be necessary to reset the measurement. To do so, press the "SET" button for more than 3 s.</p>	
<p>4.3 How to record pressure peaks Press the "P-H" key. In this mode, only the value of the last pressure peak is displayed. To return to the normal mode, press on the "P-H" mode again. The value of the last pressure peak is stored in the memory until the transmitter is disconnected.</p>	
<p>4.4 Backlighting of the display Press the "LED" key to activate or de-activate the backlighting of the display.</p>	

Information given as an indication only, and subject to possible modifications

	<p>SECTORIEL S.A. 45 rue du Ruisseau 38290 SAINT QUENTIN-FALLAVIER – FRANCE Telephone: +33 4 74 94 90 70 – Fax: +33 4 74 94 13 95 www.sectoriel.fr / Email : sectoriel@sectoriel.fr</p>	Pages	4/4
		Ref.	FT1311 ENG
		Rev.	01
		Date	04/2016